

ROUND GRAB



The Strong Combination of Grab and Sling for the Safe Handling of Cylindrical Parts (Pipes, Cylinders ...)

Sling or Pipe Grab ?

Slings can be used for handling pipes when the pipes are positioned on a squared beam and when the sling can be pushed through underneath the pipe. The advantages of the slings are, however: high carrying capacity, lightweight and inexpensive.

Pipe Grabs are mechanical grabs. They are very solid and assure safe pipe handling. A complete encircling of the load is not necessary as the load is held by frictional and embracing forces.

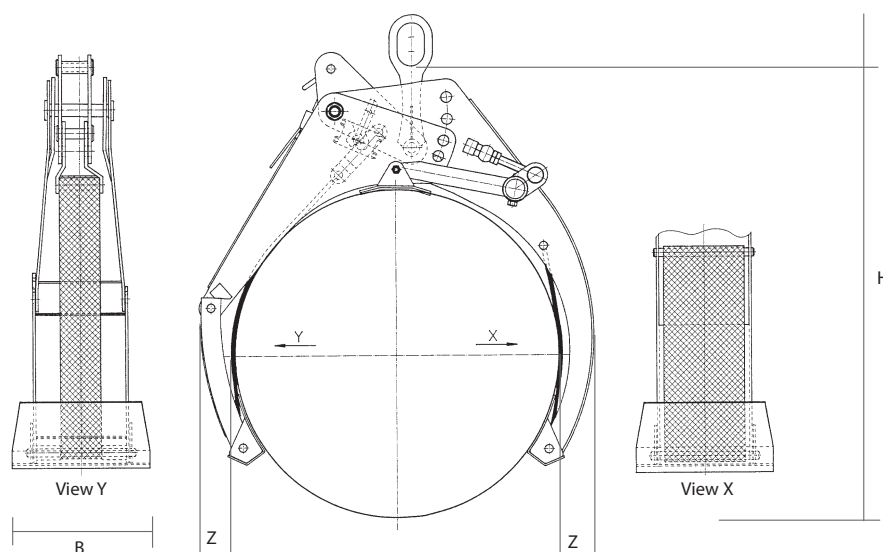
Why not combine both advantages in one single piece of equipment ?

The result is the WIMAG Round Grab WRG:

The solid steel construction assures safe pipe handling even under the toughest circumstances. Due to the built-in automatic mechanism, the round grab opens and closes automatically when picking up or positioning the pipe. The large clamping range is quickly and simply adjusted via a bolt. A control panel guarantees the correct adjustment of the clamping range. The easily adjustable support provides additional safety during handling. The solid suspension eye can be fitted into any lifting equipment.

The wide slings assure careful and safe transport even of delicate or coated pipes. The slings are covered with a protective tube. The slings are additionally protected against wear and tear by protective plates situated at the bottom.

Application made for patent rights.



Order No.	Model	Carrying Capacity kg	Pipe Outside Diameter mm	Height H mm	Width B mm	Z* mm	Weight kg
131 010	WRG 1.5-47	1,500	200 - 470	930	340	110	56
131 020	WRG 1.5-80	1,500	300 - 800	1,350	350	120	90
131 030	WRG 5-150	5,000	600 - 1,500	2,300	500	200	425
Round grab with steel sling and steel tensioning sling							
130 030	RRG 3-120	3,000	600 - 1,250	2,000	550	120	300
130 050	RRG 10-200	10,000	1,000 - 2,000	3,000	750	300	1,080
130 060	RRG 12-250	12,000	1,500 - 2,500	3,600	750	400	1,450
Enquire about our special constructions.						* Adjustment to suit the max. diameter	