

## PIPE LAYING HOOK / C-HOOK

### Pipe laying hook RHK

- For pipe lengths up to 1.0 m
- With safety chain
- With guide handle

Order No.	Model	Carrying Capacity kg	Hook Opening mm	Weight kg
115 010	RHK 1/1	1,000	190	24
115 025	RHK 3/1	3,000	260	45



### Pipe laying hook RHSV

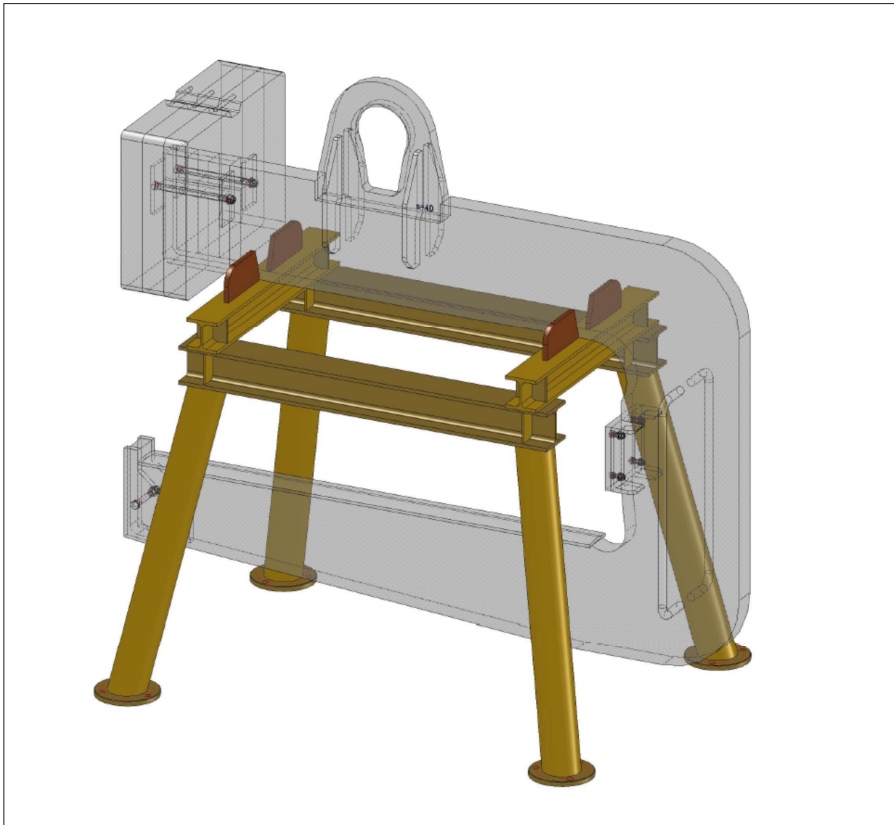
- For pipe lengths up to 3.0 m
- With automatic weight counterbalance
- With adjustable buffer stop
- With safety chain
- With guide handle

Order No.	Model	Carrying Capacity kg	Hook Opening mm	Minimum Weight* approx. kg	Weight kg
115 210	RHSV 1/3	1,000	300	350	180
115 325	RHSV 3/3	3,000	460	1,000	310
115 335	RHSV 7.5/3	7,500	500	3,000	732



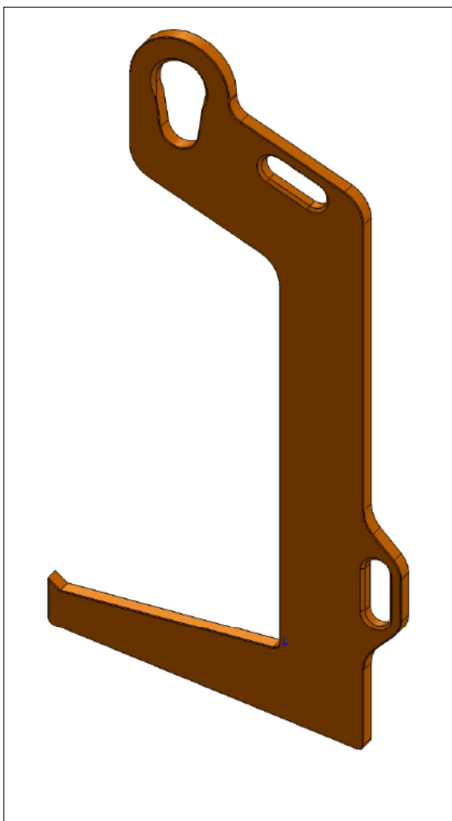
\* For the function of the weight counterbalance a minimum pipe weight is required. Lighter pipes cannot be handled by model RHSV.

## Special designs

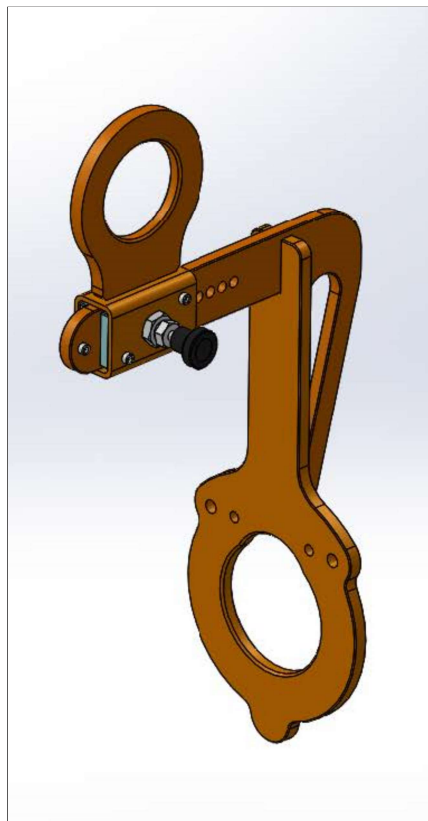


115 601  
Loading fork LG 0.4  
Carrying capacity 40 kg

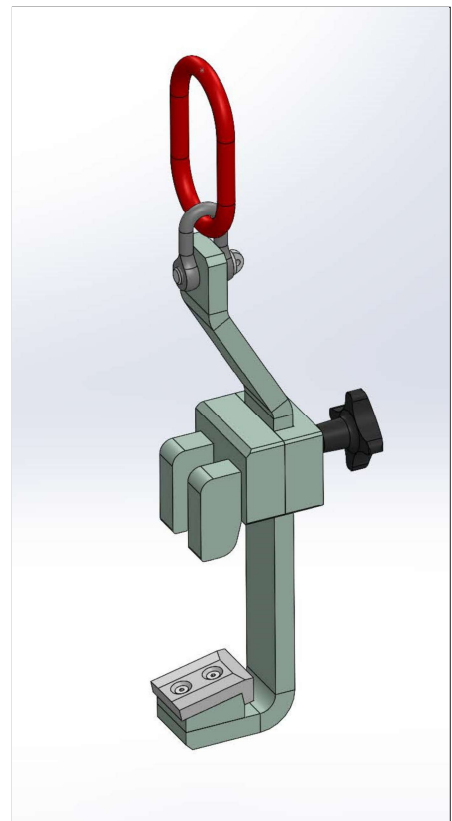
115 518  
C-hook with counterbalance  
and storage rack  
Carrying capacity 15 t  
Coil width 1.5 m



115 547  
C-hook CH 5  
Carrying capacity 5 t



115 637  
C-hook CH 0.1-0.2  
Carrying capacity 100 kg



115 652  
C-hook CH 0.15  
Carrying capacity 150 kg